



ALL AROUND SHOWS

Summer Series

Patterns:

September 14, 2025

ALL AROUND SHOWS

Summer Series

✕ May 18 ✕ June 15 ✕ July 20 ✕ August 10 ✕ September 14 ✕ October 19 ✕

*High Point & Reserve for
English, Western, and Ranch Divisions*

YOUTH & ADULT OVERALL DAILY HIGH POINT

Follows current Colorado State 4-H Rulebook (secondary AQHA)

Greeley Saddle Club Arena
899 N 11th Ave, Greeley, CO 80631
720.935.2026

AllAroundShows.com

Find All Around Shows on Facebook

Registration

7:30

Show Starts

8:30

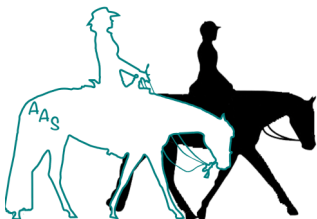
Office Fee

\$20/horse

Class Fee

\$10/class

All Around Shows



Main Arena

Start 8:30 AM

1. English Pleasure Open
2. English Pleasure 19 & Over
3. English Pleasure 14-18
4. English Pleasure 13 & Under
5. English Pleasure Walk-Trot/Green

6. English Equitation Open
7. English Equitation 19 & Over
8. English Equitation 14-18
9. English Equitation 13 & Under
10. English Equitation Walk-Trot/Green

11. English Riding Control Open
12. English Riding Control 19 & Over
13. English Riding Control 14-18
14. English Riding Control 13 & Under
15. English Riding Control Walk-Trot/Green

<break>

Not to start before 9:30 AM

16. Showmanship Open
17. Showmanship 19 & Over
18. Showmanship 14-18
19. Showmanship 13 & Under
20. Showmanship Walk-Trot/Green

<break>

Not to start before 10:30 AM

21. Western Pleasure Open
 22. Western Pleasure 19 & Over
 23. Western Pleasure 14-18
 24. Western Pleasure 13 & Under
 25. Western Pleasure Walk-Trot/Green

 26. Western Horsemanship Open
 27. Western Horsemanship 19 & Over
 28. Western Horsemanship 14-18
 29. Western Horsemanship 13 & Under
 30. Western Horsemanship Walk-Trot/Green
- FREE - Lead line Horsemanship 7 & Under

<lunch break>

31. Ranch on the Rail Open
32. Ranch on the Rail 19 & Over
33. Ranch on the Rail 14-18
34. Ranch on the Rail 13 & Under
35. Ranch on the Rail Walk-Trot/Green

36. Ranch Riding Open
37. Ranch Riding 19 & Over
38. Ranch Riding 14-18
39. Ranch Riding 13 & Under
40. Ranch Riding Walk-Trot/Green

Trail Arena
Open from 10:30-1:30
show at will

FREE-Lead line Trail (City or Ranch) 7&U

41. Trail Open
42. Trail 19 & Over
43. Trail 14-18
44. Trail 13 & Under
45. Trail Walk-Trot/Green

46. Ranch Trail Open
47. Ranch Trail 19 & Over
48. Ranch Trail 14-18
49. Ranch Trail 13 & Under
50. Ranch Trail Walk-Trot/Green

ALL AROUND SHOWS

Summer Series

✕ May 18 ✕ June 15 ✕ July 20 ✕ August 10 ✕ September 28 ✕ October 19 ✕

Additional Information & Rules

Governed by the current Colorado 4-H Rule Book (*secondary rulebook will be AQHA*).

Exception: Exhibitors may ride 2-handed with a snaffle bit for any aged horse, or 1 hand with a shank bit.

Lead line classes are for riders aged 7 & under.

19 & Over Pending entries, show management may split into two age divisions 19-49 and 50 & Over.

Walk-Trot/Green classes are for riders and/or horses who cannot yet canter/lope. Novice/Green/entry level classes for the exhibitor or horse. Horses of any age can be shown 2-handed in a snaffle, or 1--handed on a shank bit

Trail classes are to be shown in Western tack/attire. The trail course will be open from 10:30AM—1:30PM and exhibitors are invited to show at will (show when you have time, between your other classes).

Multiple horses & class entries – Exhibitors may show multiple horses in English Riding Control, Ranch Riding, Trail, and Ranch Trail. Each rider/horse combo must have their own assigned number.

Class awards 1st through 6th place ribbons for each class.

Daily High Point Divisions (*calculated on a one horse/one rider basis—must show in at least 3 of 4 classes in the division*)
Ties are broken by Showmanship placings first, Horsemanship placings second.

Age Divisions: Open, 19 & Over, 14-18, 13 & Under, Walk-Trot/Green

English High Point classes: Showmanship, English Pleasure, English Equitation, English Riding Control

Western High Point classes: Showmanship, Western Pleasure, Western Horsemanship, Trail

Ranch High Point classes: Showmanship, Ranch on the Rail, Ranch Riding, Ranch Trail

Overall Daily High Point Buckles (*calculated on a one horse/one rider basis*)

Youth Overall: 13 & Under and 14-18 classes, whomever earns the highest amount of points for the day

Adult Overall: 19 & Over classes, whomever earns the highest amount of points for the day

NO REFUNDS! An open signed check, cash, or credit card form must be on file before numbers will be distributed. Credit Cards will be processed at the end of the day with a 5% service charge added to the final show tab.

Waiver

I am aware of and understand that there are inherent risks associated with equine activities. I do hereby consent and agree that All Around Shows, Greeley Saddle Club, City of Greeley, and/or any cooperative person or group is not liable for an injury to or death of a participant due to the inherent risks associated with these activities and shall not be held responsible for loss, damage and/or liability sustained or suffered while on the show grounds, volunteering or during participation in this horse show. As owner/agent/exhibitor I agree to abide by all rules of the association(s) and to pay all costs and fees associated with this entry including but not limited to class entry fees, stall, feed, bedding, association and membership fees. In the event this entry is unsigned, then first entry of this horse into the arena shall be deemed agreement and acceptance of these rules.

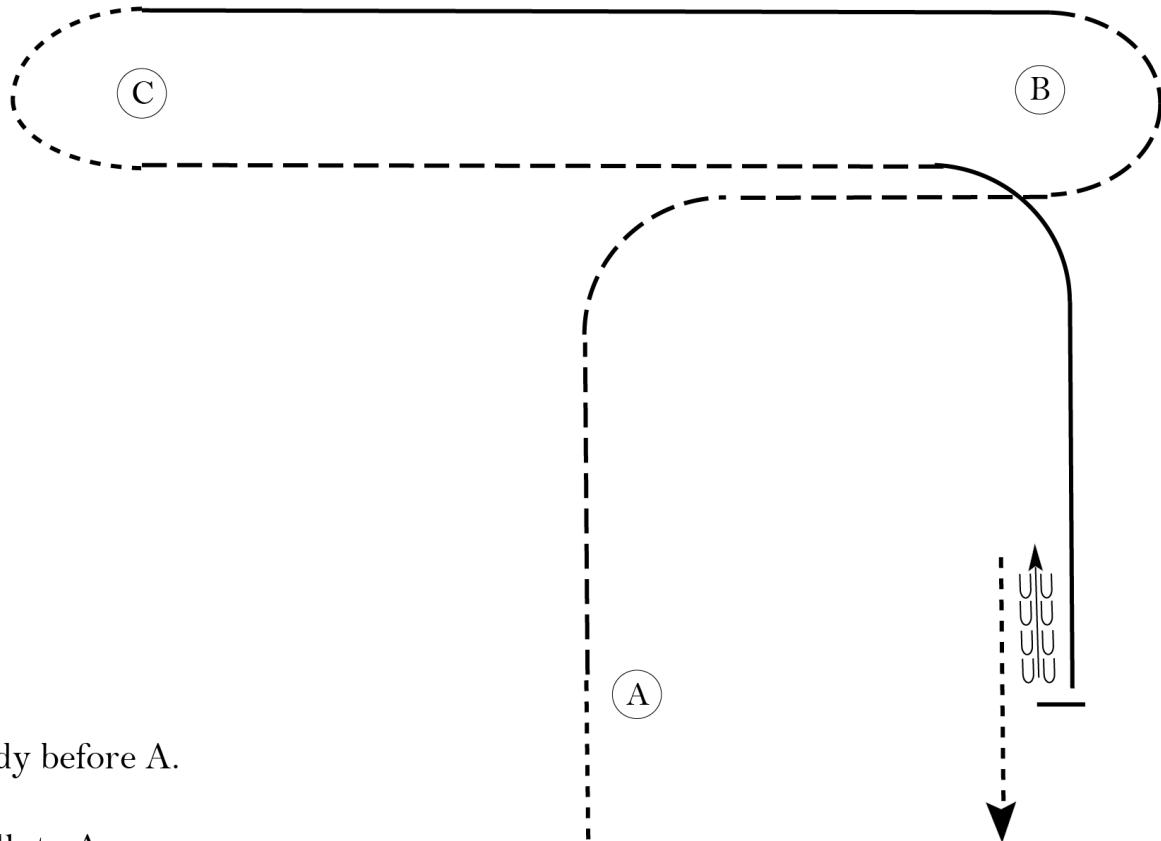


2025 All Around Shows Summer Series

SEPTEMBER

English Equitation

Show Date: September 14, 2025



Be ready before A.

1. Walk to A.
2. Trot on the left diagonal up the center of pattern and to B.
3. Change diagonals and trot around B.
4. Canter on the left lead to C.
5. Walk around C.
6. Posting trot on the left diagonal toward B.
7. Prior to B, pick up the right lead canter until even with A.
8. Stop and back approximately one horse length.

Follow the instructions of your ring steward.

Walk	-----
Trot	- - - - -
Extended Trot	- - - - -
Canter	—————
Leg Yield	
Lead Change	///
Back	←←←←←
Marker	(B)
Sidepass	← - - - - →
Hand Gallop	—————

[HSE/2-71]

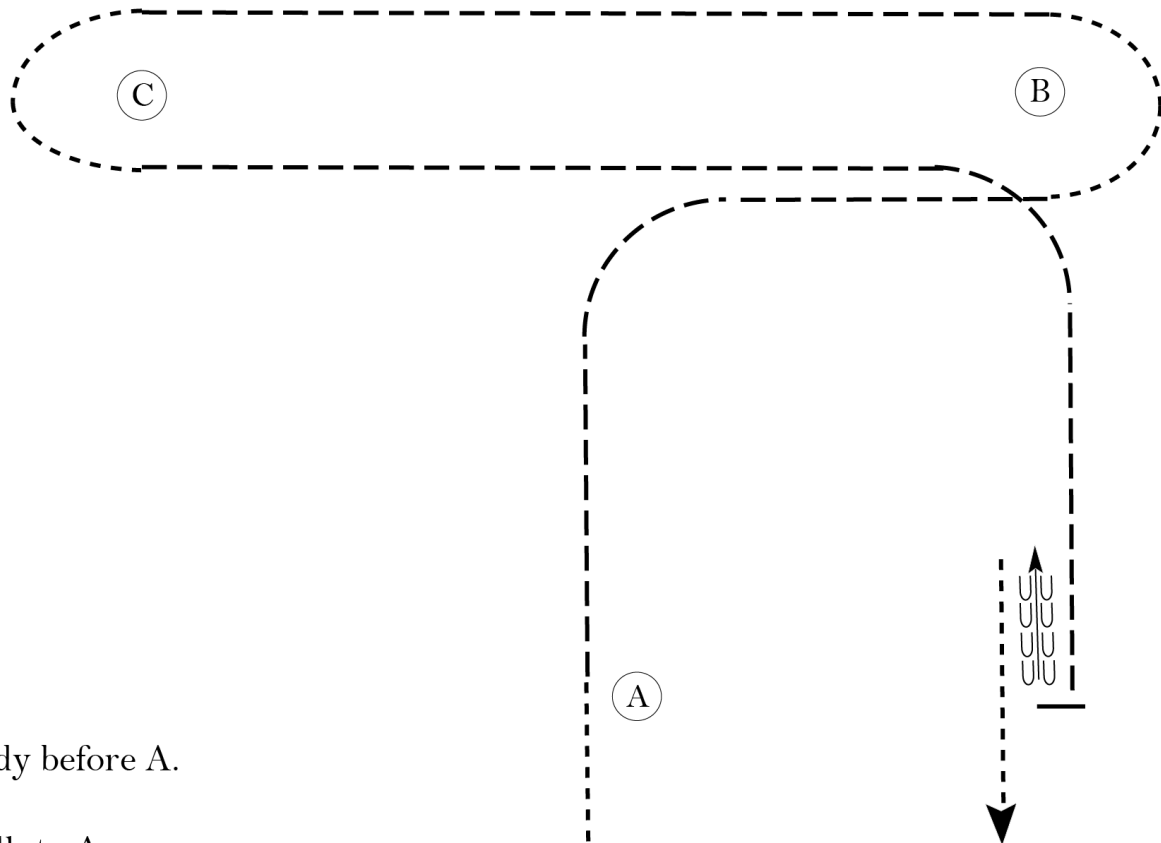
Pattern Provided by:
Show Management

2025 All Around Shows Summer Series

SEPTEMBER

English Equitation (Walk-Trot)

Show Date: September 14, 2025



Be ready before A.

1. Walk to A.
2. Trot on the left diagonal up the center of pattern and to B.
3. Walk around B.
4. Sitting trot to C.
5. Walk around C.
6. Posting trot on the left diagonal toward B.
7. Continue the trot until even with A.
8. Stop and back approximately one horse length.

Follow the instructions of your ring steward.

Walk	-----
Trot	- - - - -
Extended Trot	— — — — —
Canter	—————
Leg Yield	
Lead Change	— / —
Back	← ← ← ← ←
Marker	⊙
Sidepass	← — — — — →
Hand Gallop	— — — — —

[HSE/WT-71]

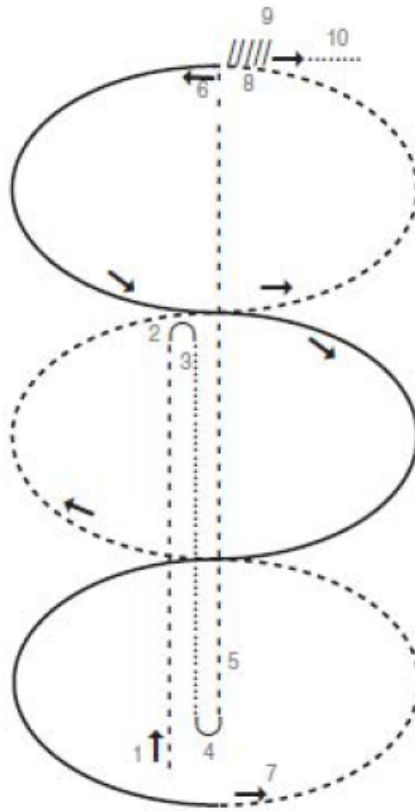
Pattern Provided by:
Show Management

2025 All Around Shows Summer Series

SEPTEMBER

English Riding Control (All Classes)

Show Date: September 14, 2025



Walk: Canter: _____
Back: //////////////// Trot: - - - - -

1. Sitting trot.
2. Halt, half turn (180 degrees) right on haunches.
3. Normal walk.
4. Halt, half turn (180 degrees) left on haunches.
5. Lengthen trot rising.
- ** 6. Canter serpentine with appropriate changes of lead, simple or flying.
7. Rising trot serpentine with change of diagonals.
8. Halt.
9. Back.
10. Leave arena on a loose rein at the free walk.

**Walk-Trot will Extended Trot in place of Canter, showing change of diagonals.

Pattern Provided by:
Show Management

w w w . H o r s e S h o w P a t t e r n s . c o m

w w w . H o r s e S h o w P a t t e r n s . c o m

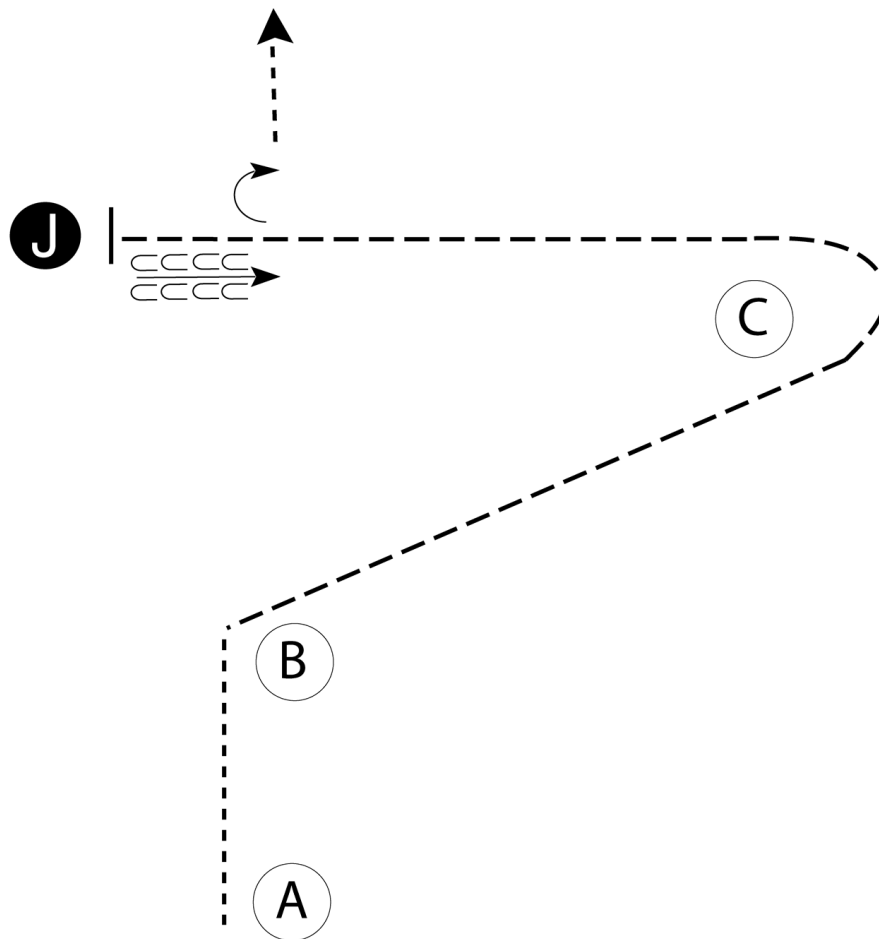
2025 All Around Shows Summer Series

SEPTEMBER Showmanship

Show Date: September 14, 2025

w w w . H o r s e S h o w P a t t e r n s . c o m

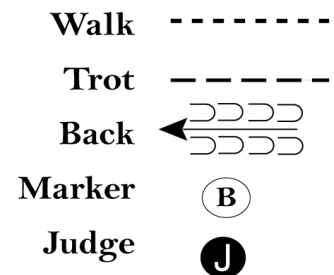
w w w . H o r s e S h o w P a t t e r n s . c o m



Be ready at A.

1. When acknowledged, walk to B.
2. Trot to and around C and to judge.
3. Stop and set up for inspection.
4. When dismissed, back approximately one horse length.
5. Perform a 90 degree turn and walk away from judge.

Follow the directions of your ring steward.



[S/2-57]

Pattern Provided by:
Show Management

2025 All Around Shows Summer Series

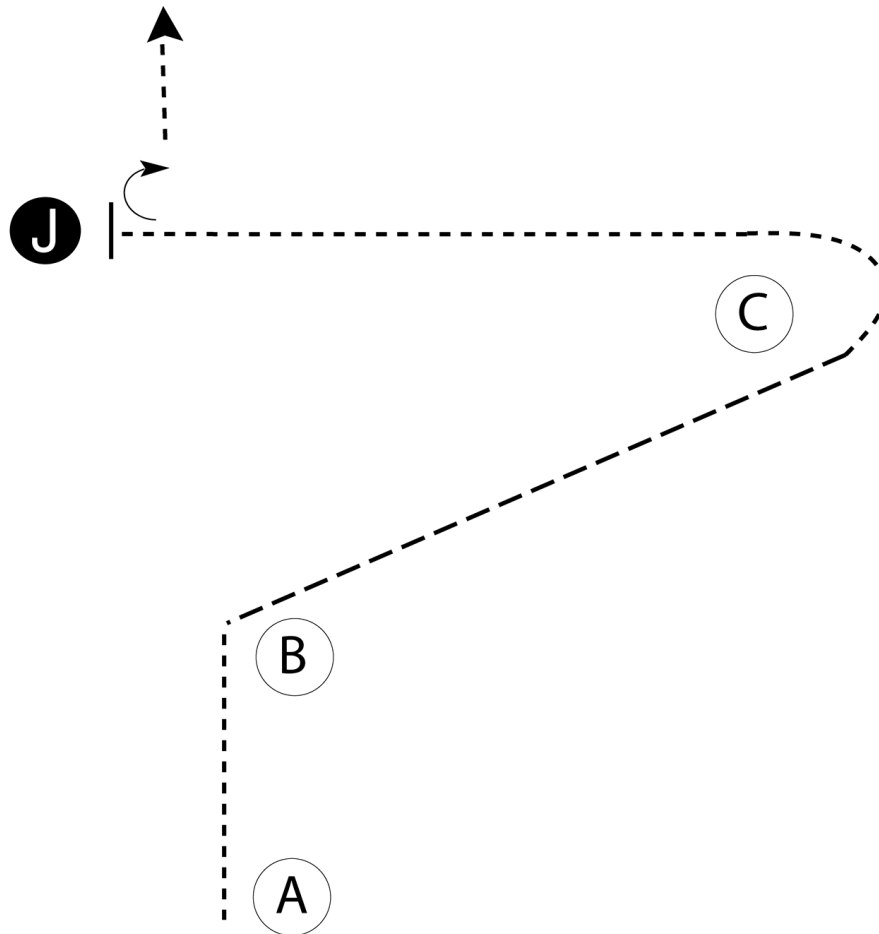
SEPTEMBER

Showmanship (Walk-Trot)

Show Date: September 14, 2025

w w w . H o r s e S h o w P a t t e r n s . c o m

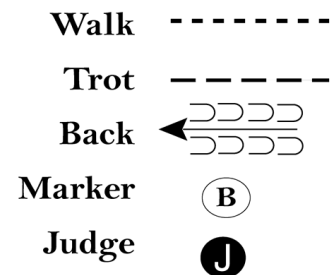
w w w . H o r s e S h o w P a t t e r n s . c o m



Be ready at A.

1. When acknowledged, walk to B.
2. Trot to C.
3. Walk around C and to judge.
4. Stop and set up for inspection.
5. When dismissed, perform a 90 degree turn and walk away from judge.

Follow the directions of your ring steward.



[S/WT-57]

Pattern Provided by:
Show Management

2025 All Around Shows Summer Series

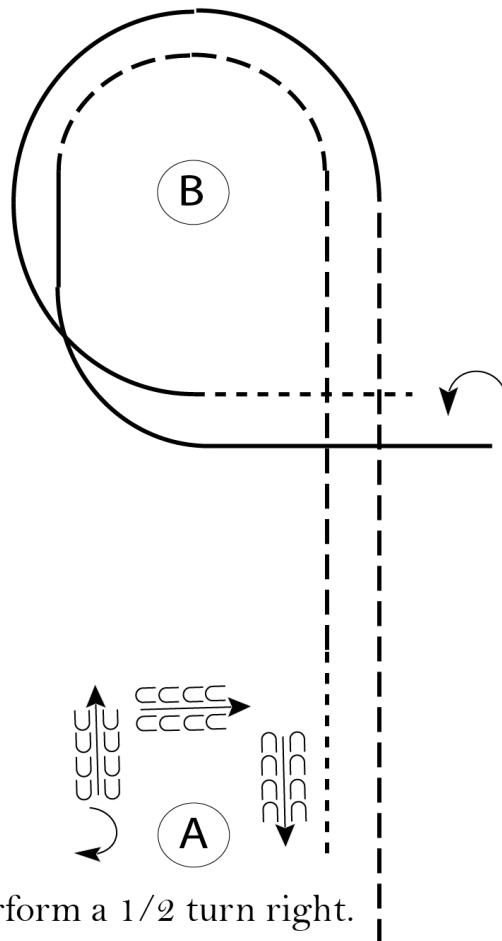
SEPTEMBER

Western Horsemanship

Show Date: September 14, 2025

www.HorseShowPatterns.com

www.HorseShowPatterns.com



Be ready at A.

1. When acknowledged, perform a 1/2 turn right.
2. Back around A.
3. Walk approximately 2 horse lengths from A.
4. Jog to and around B.
5. Lope on the left lead to center of pattern and several horse lengths past the center line.
6. Stop and perform a 1/2 turn left.
7. Walk to center of pattern.
8. Lope on the right lead to and around B.
9. Jog from B to and past A.

Pattern is over once you have passed A.

Follow the instructions of your ring steward.

Walk	-----
Jog	- - - - -
Extended Jog	— — — —
Lope	—————
Lead Change	
Back	
Marker	(B)

[WH/2-101]

Pattern Provided by:
Show Management

2025 All Around Shows Summer Series

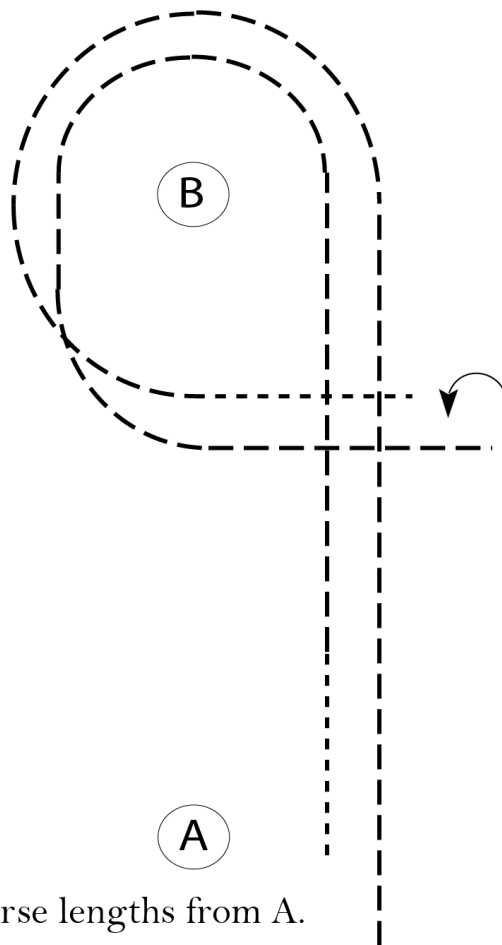
SEPTEMBER

Western Horsemanship (Walk-Trot)

Show Date: September 14, 2025

w w w . H o r s e S h o w P a t t e r n s . c o m

w w w . H o r s e S h o w P a t t e r n s . c o m



Be ready at A.

A

1. Walk approximately 2 horse lengths from A.
2. Jog to and around B.
3. Continue jog to center of pattern and several horse lengths past the center line.
4. Stop and perform a 1/2 turn left.
5. Walk to center of pattern.
6. Jog to and around B.
7. Continue jog from B to and past A.

Pattern is over once you have passed A.

Follow the instructions of your ring steward.

Walk	-----
Jog	- - - - -
Extended Jog	— — — —
Lope	—————
Lead Change	
Back	
Marker	Ⓚ

[WH/WT-101]

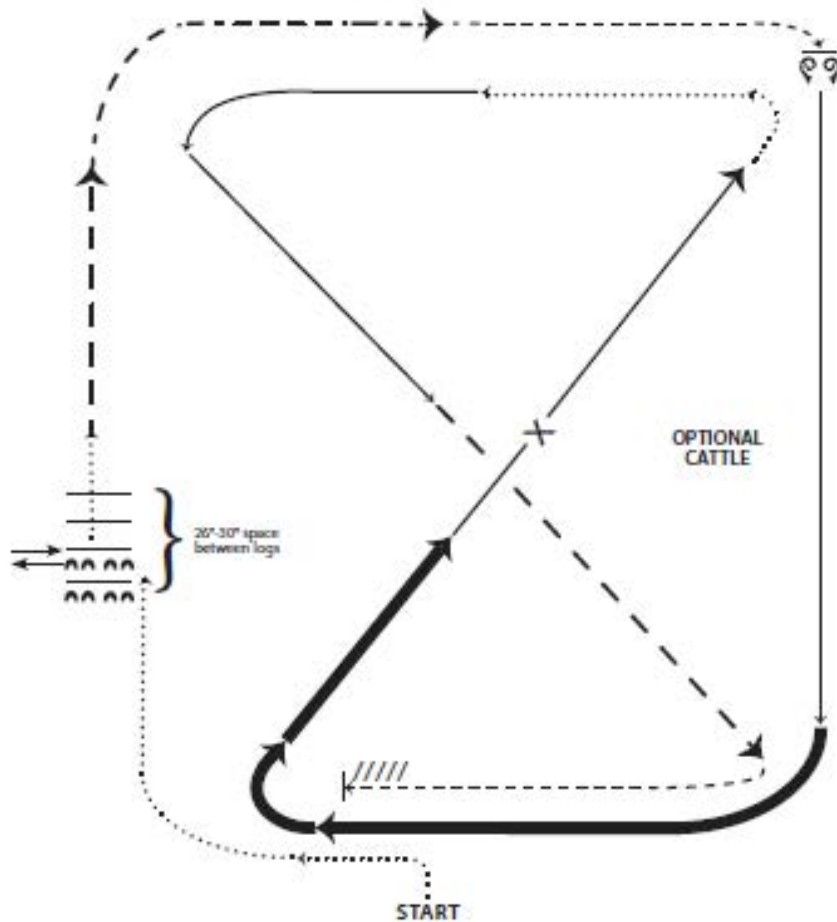
Pattern Provided by:
Show Management

2025 All Around Shows Summer Series

SEPTEMBER

Ranch Riding (All Classes)

Show Date: September 14, 2025



1. Walk
2. Side pass left across first log, side pass 1/2 way to right
3. Walk across logs
4. Extended trot
5. Trot
6. Stop, 360 degree turn each direction (either direction first) (L-R or R-L)
7. Lope right lead
8. Extended lope (right lead)
9. Collect lope, change leads (simple or flying)
10. Walk
11. Lope left lead
12. Extended trot
13. Trot
14. Stop and back

WALK-TROT

1. Walk
2. Side pass left across first log, side pass 1/2 way to right
3. Walk across logs
4. Extended trot
5. Trot
6. Stop, 360° turn each direction (either direction first) (L-R or R-L)
7. Trot
8. Extended trot
9. Trot
10. Walk
11. Trot
12. Extended Trot
13. Trot
14. Stop and back

Pattern Provided by:

Show Management

www.HorseShowPatterns.com

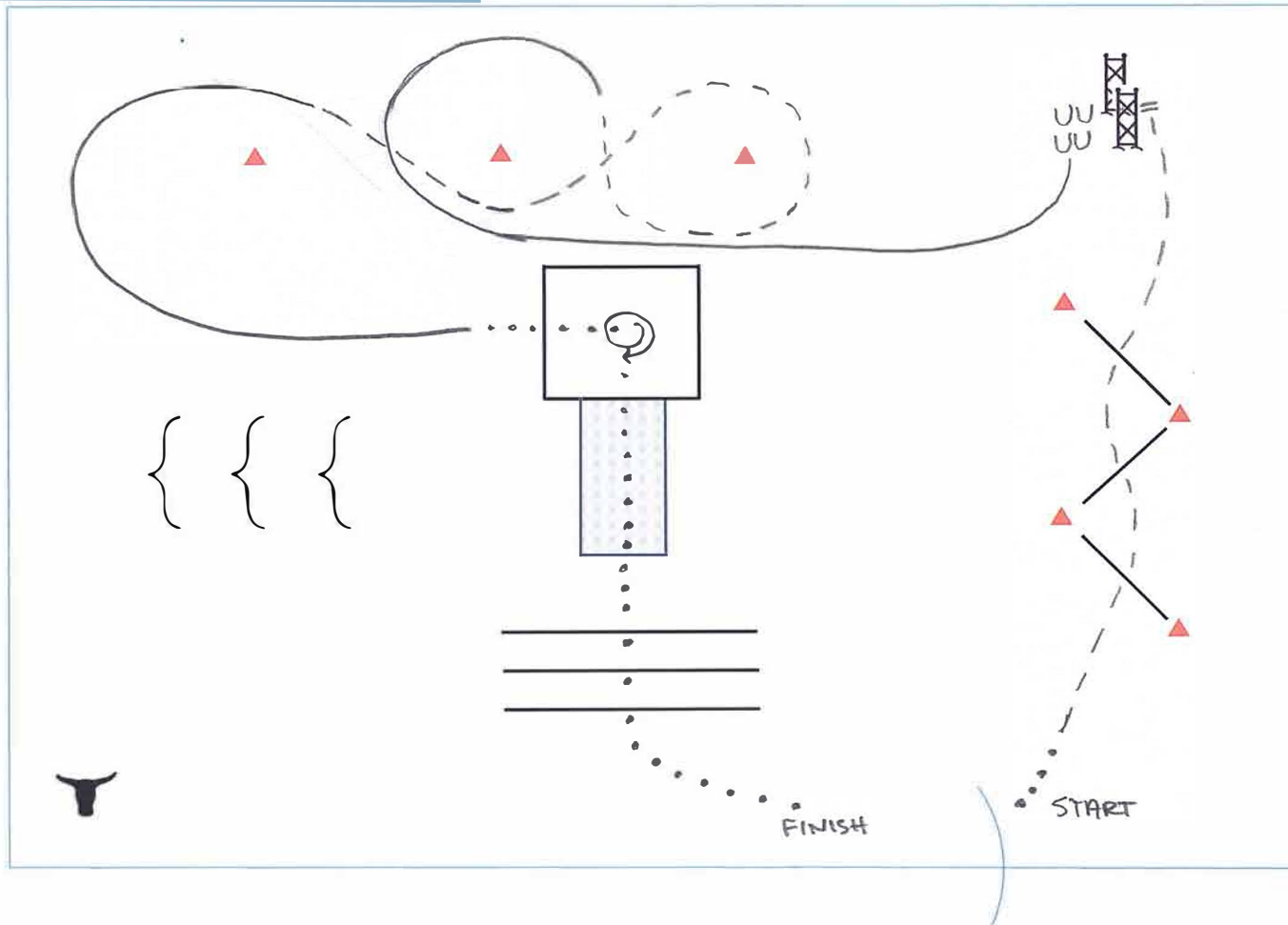
www.HorseShowPatterns.com

2025 All Around Shows Summer Series

SEPTEMBER

Show Date: September 14, 2025

CITY TRAIL



1. Jog over logs to gate
2. Left hand push gate
3. Right lead around cone
4. Jog around cones
5. Left lead around cone
6. Walk into box, 450° turn (1 1/4) to the right
7. Walk over bridge
8. Walk over logs to exit

Walk-Trot

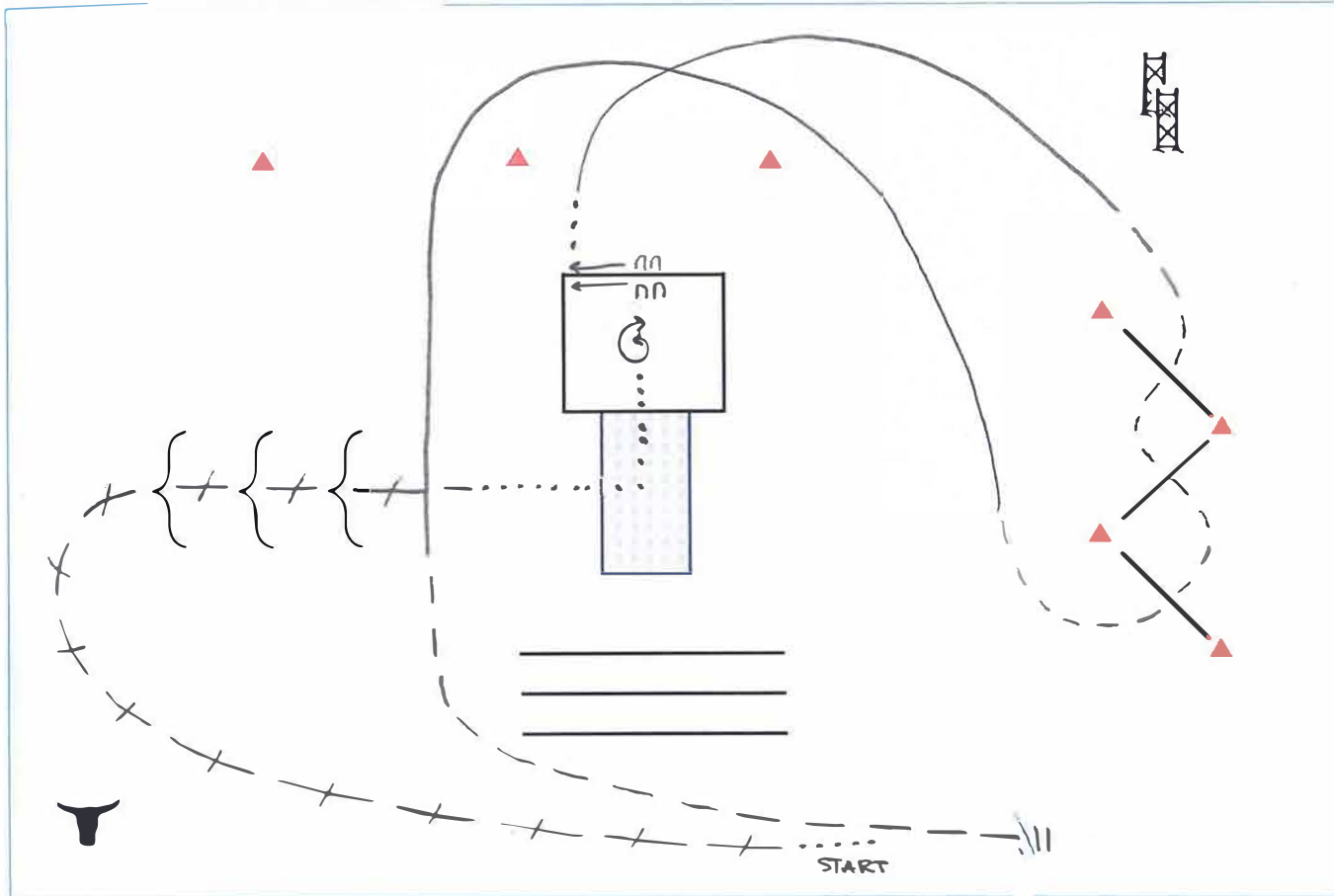
1. Jog over logs to gate
2. Walk around end of gate
3. Jog around cones
serpentine along the lope/
jog/lope path
4. Walk into box, 450° turn (1 1/4) to the right
5. Walk over bridge
6. Walk over logs to exit

2025 All Around Shows Summer Series

SEPTEMBER

Show Date: September 14, 2025

RANCH TRAIL



1. Extended trot over natural logs towards bridge
2. Walk, walk over bridge and turn left to go into box
3. Turn 360° either direction
4. Walk forward to straddle log, side pass left, walk forward
5. Right lead lope
6. Jog over logs
7. Left lead lope
8. Jog to gate, stop. Exit at a walk.

Walk-Trot

1. Extended trot over natural logs towards bridge
2. Walk, walk over bridge and turn left to go into box
3. Turn 360° either direction.
4. Walk forward to straddle log, side pass left, walk forward.
5. Trot
6. Trot over logs
7. Extended trot to gate, stop. Exit at a walk.